

# Mounting Instructions

## DELIVERY

### Standard content at delivery :

- Radiator, packed on a palette in a thick paper box , protected with foam all around, and blister foil as well as plastic film on its front.
- The wall bracket, locked on its appliance integrated at the back of the radiator
- Two flexible hoses for connection. Its length is adjustable, for easier mounting
- A thermostatic valve OVENTROP and a return valve, adjustable, for connection to ½ (15/21mm)
- For electric version : an electric wire of 1.5 metres for connexion in an electric plug.

### Materials and tools needed:

- chemical sealing or strong bushings depending on the state of the walls
- screws
- drilling machine and screw gun
- radiator-lifter or bar to raise the radiator
- meter and level ...

### Mounting and handling :

Mounting can only be done by professionals in accordance with the manufacturer's prescriptions  
Minimum 2 persons, 3 or 4 for transport depending on accessibility and models  
Security shoes must be used  
The radiator can be taken out of its box to make the transport easier in small vans and only for small distances. In any case do NOT take off the protection foams and the plastic foil during transport  
Use white gloves to touch the radiators during the mounting.

## INSTALLATION

The installation must be done according the directives of the manufacturer and valid prescriptions of the land, by qualified people who take entire responsibility.

Security rules must be strictly respected.

The radiator has to be set up in a fixed position so that starting and regulating devices are always reachable.

A free distance of 10 cm minimum must be respected in front and around the radiator (Floor, ceiling, wall.), no object must be situated at less than de 50cm in front of the radiator.

## ATTENTION

Keep the protection on the front and around the sides of the radiator until complete installation, including the hydraulic connection works.

The warranty against damage of fabrication does not cover any damage to appear through every external cause particularly during pose and handling.

## HYDRAULIC VERSION

### Tubes Exit (schema 1 & 2) :

Arrange for integrated flow and return ducts ending on two male cranks ½", flat washers , to connect the « cuttable » flexible tubes .

Distance between connections : 20 cm

For a radiator height of 15 cm from the bottom

Height for departure connection : 24cm

Height for return connection : 21 cm

To flexible hoses are included in the delivery.

These measures are indications and can be changed according the characteristics of the wall.

### Fixation of the radiator :

Cut the plastic film only at the back of the radiator, in order to free the wall bracket and the connection holes. Keep all around the corner and front protection until complete mounting.

Position the wall bracket and fix solidly on the wall by the twelve oblong holes. The Plumber himself must decide to chose the appropriate anchorage (chemical, metallic, radiator dowel,...) to assure a correct, solid and definitely fixation of the radiator.

The wall bracket has the same length than the bracket fixed on the back of the radiator.

Fix the wall bracket to the wall by measuring its position in order to respect minimal distance between radiator and all the walls or objects around it.

## Mounting Instructions

### Hydraulic connexions:

Draw the axis of the flow and return issues against the wall getting the total length of the flexible-tap entirety. Form the reach of flexible tube by passing the screw nut and by clipping the stainless-steel snap-ring on the second concave undulation

Screw the Male/Male connector and tighten with 2 tools to squeeze the two undulations of the flexible hose. Loosen, then place the washer and leave the mounted hydraulic kit.

Lift the radiator, with necessary number of persons in proportionately to its weight SECURITY SHOES MUST BE WORN, and hang into the upper notch of the wall bracket, in order to be able to force apart the bottom part of the radiator for the hydraulic connections.

Connect the premounted flexible hoses to screw nut ½ of the radiator with a flat washer. Slightly tighten.

Check the leak-tightness; bleed the air through the manual deairing appliance at the top of the radiator. Replace the protection foam and blister foil, place the given lift-hooks take care not to put them too close to the edge of the radiator in order to avoid slipping, slightly lift with 1 or 2 persons by pushing the radiator with the knees and the head against the wall until hanging it into the racks. Take care not to squeeze the flexible hoses during this operation...

### Put into service:

Check the perfect lock in place of the upper and lower part of the radiator

Put on, check and bleed the air again if necessary. Maximal pressure 10 bars.

An insufficient de-aeration can lead to partial heating of the radiator. Adjust the water flow if necessary by the return valve.

The thermostatic valve must be on 6 for its mounting on faucet device and status display must be visible on the side of the radiator

### ELECTRIC VERSION

#### Fixation du radiateur :

Cut the plastic film only at the back of the radiator, in order to free the wall bracket and the connection holes. Keep all around the corner and front protection until complete mounting.

Position the wall bracket and fix solidly on the wall by the twelve oblong holes. The Plumber himself must decide to choose the appropriate anchorage (chemical, metallic, radiator dowel...) to assure a correct, solid and definitely fixation of the radiator. The wall bracket has the same length than the bracket fixed on the back of the radiator.

Fix the wall bracket to the wall by measuring its position in order to respect minimal distance between radiator and all the walls or objects around it

### Electric connexions:

The radiator is foreseen for a monophased electric power supply of 230V – 50 Hz.

The cable disposes also of a "pilot" wire for an eventual external programming. If it is not used, it must be insulated without being connected.

The sign label of the radiator is stuck on the wall bracket. The installation must be done according the directives of the manufacturer and valid prescriptions of the country, by qualified people who take entire responsibility. Check that the electric-power of the installation is adapted to the maximum power of the device written on its data sheet. Security rules must be strictly respected.

The radiator has to be set up in a fixed position so that starting and regulating devices are always reachable. A free distance of 10 cm minimum must be respected in front and around the radiator (Floor, ceiling, wall.), no object must be situated at less than 50cm in front of the radiator

### Mounting:

Lift the radiator, with necessary number of persons according to its weight and hang into the upper notch of the wall bracket, in order to be able to force apart the bottom part of the radiator for electric connections. Take away the packaging of the radiator and put on latex gloves for further contact with the radiator. Force apart the bottom with a piece of the packaging foam

Connect the wire. Replace the protection foam and blister foil, place the given lift-hooks take care not to put them too close to the edge of the radiator in order to avoid slipping, slightly lift with 1 or 2 persons by pushing the radiator with the knees and the head against the wall until hanging it into the racks. Take care not to squeeze the wires during this operation. Check the perfect lock into place of the upper and lower part of the radiator.

### Thermostat:

See separate thermostat instruction notice

### Special care:

Do not cover. If the electric wire should be damaged it must be changed by an electrician. In case of dysfunction call your electrician and advise CINIER if the cause can not be found or repaired.

BATHROOM: Radiator must be placed so that the electric thermostat can not be reached from the bath or shower.

### ATTENDANCE

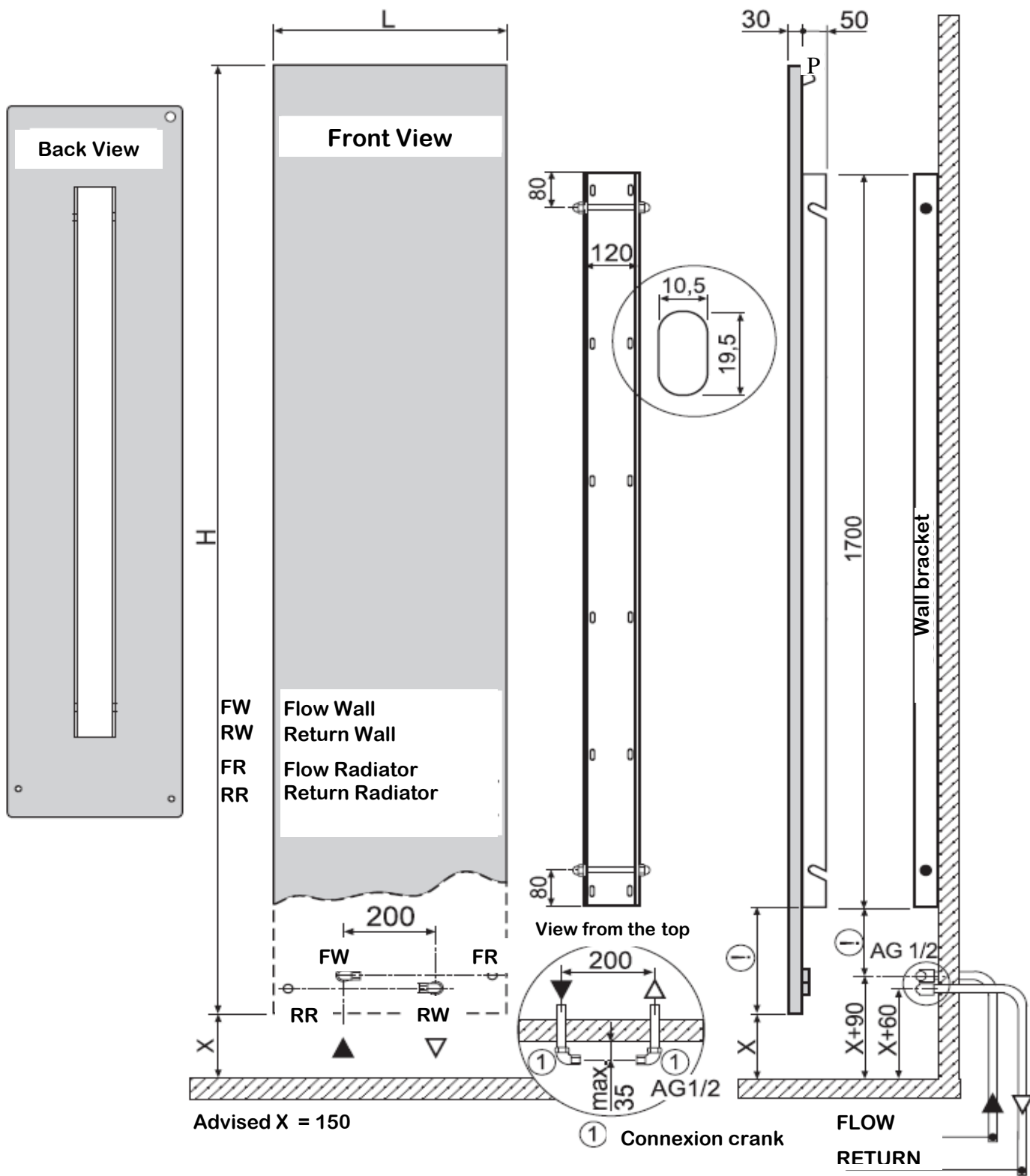
Not apply any cleaning agents, wax or polish on the radiator.

Clean if necessary with some water or light soap water and a smooth sponge or a dry cloth.

# Mounting Instructions

## Schema 1

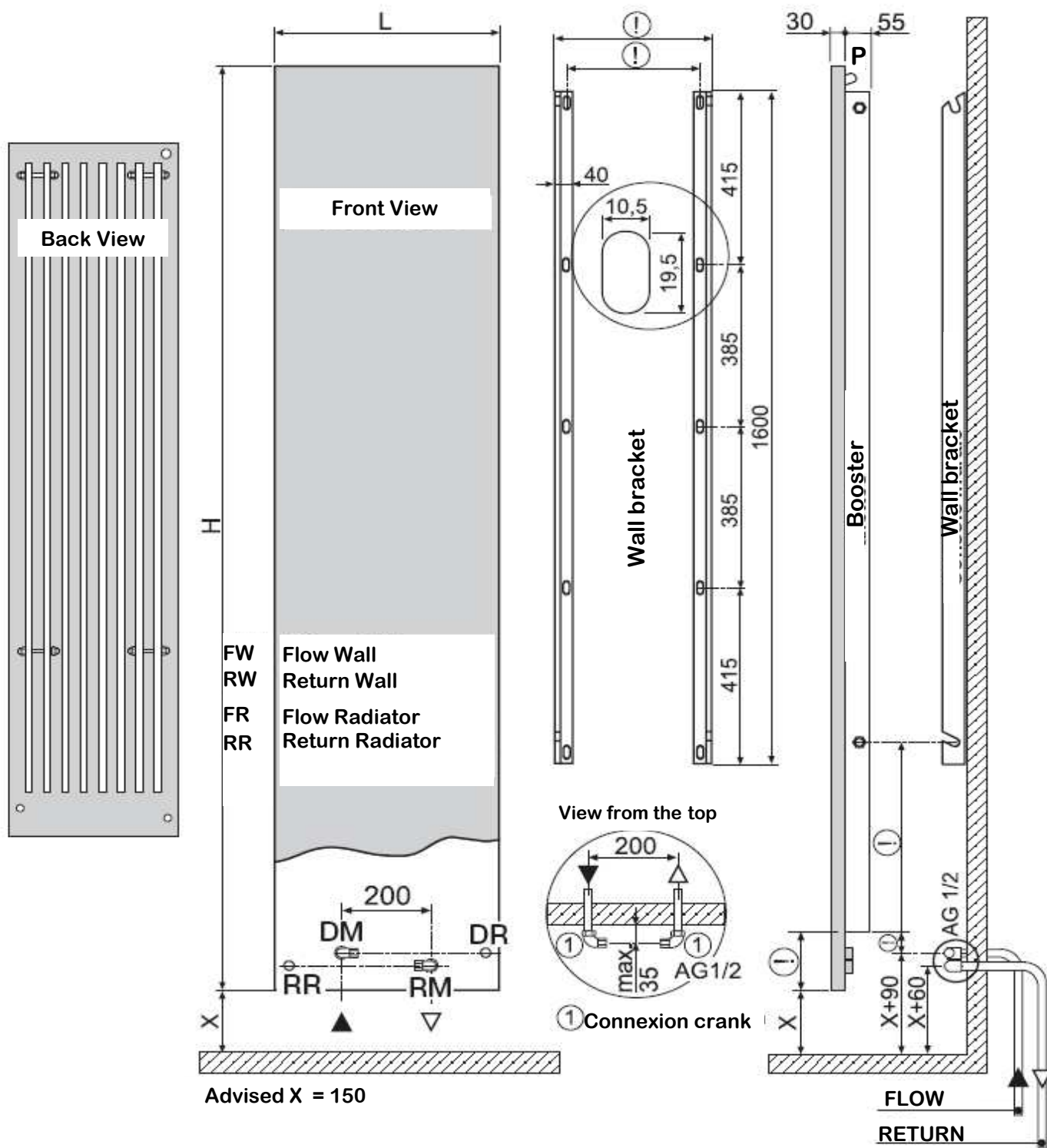
ⓘ The measures must be taken directly on the radiator in order to calculate the positioning of the wall bracket



# Mounting Instructions

## Schema 2

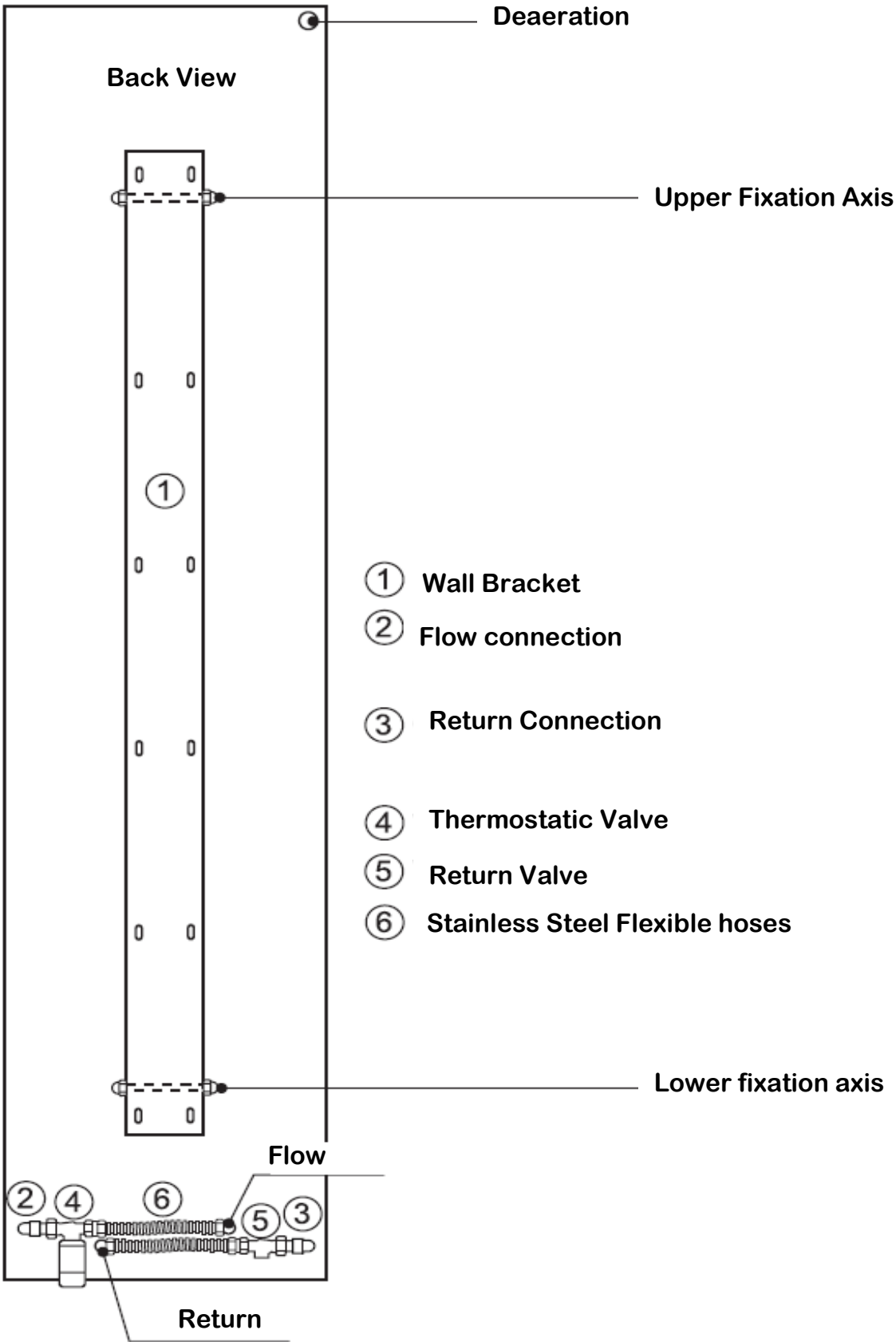
ⓘ The measures must be taken directly on the radiator in order to calculate the positioning of the wall bracket



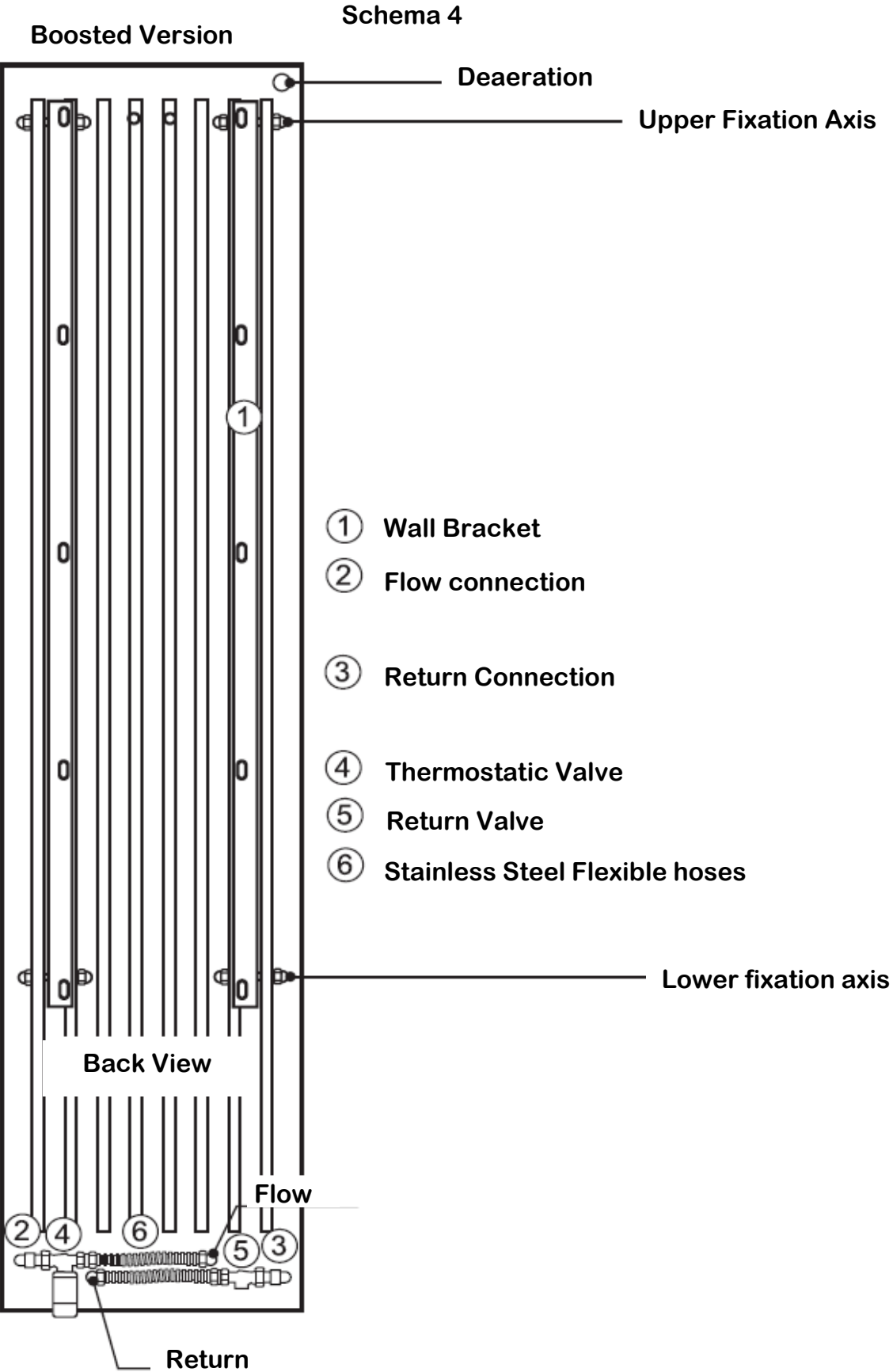
# Mounting Instructions

Schema 3

Without Booster

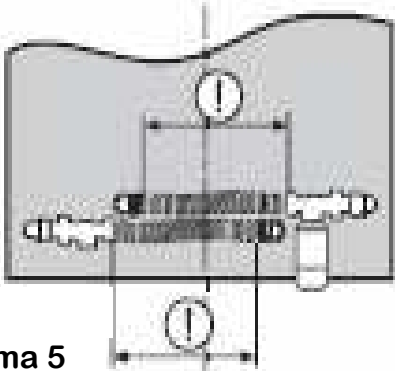


# Mounting Instructions



# Mounting Instructions

Front View



Schema 5



Take measures directly on the radiator

schéma 6

Flexible Inox Cintré extensible

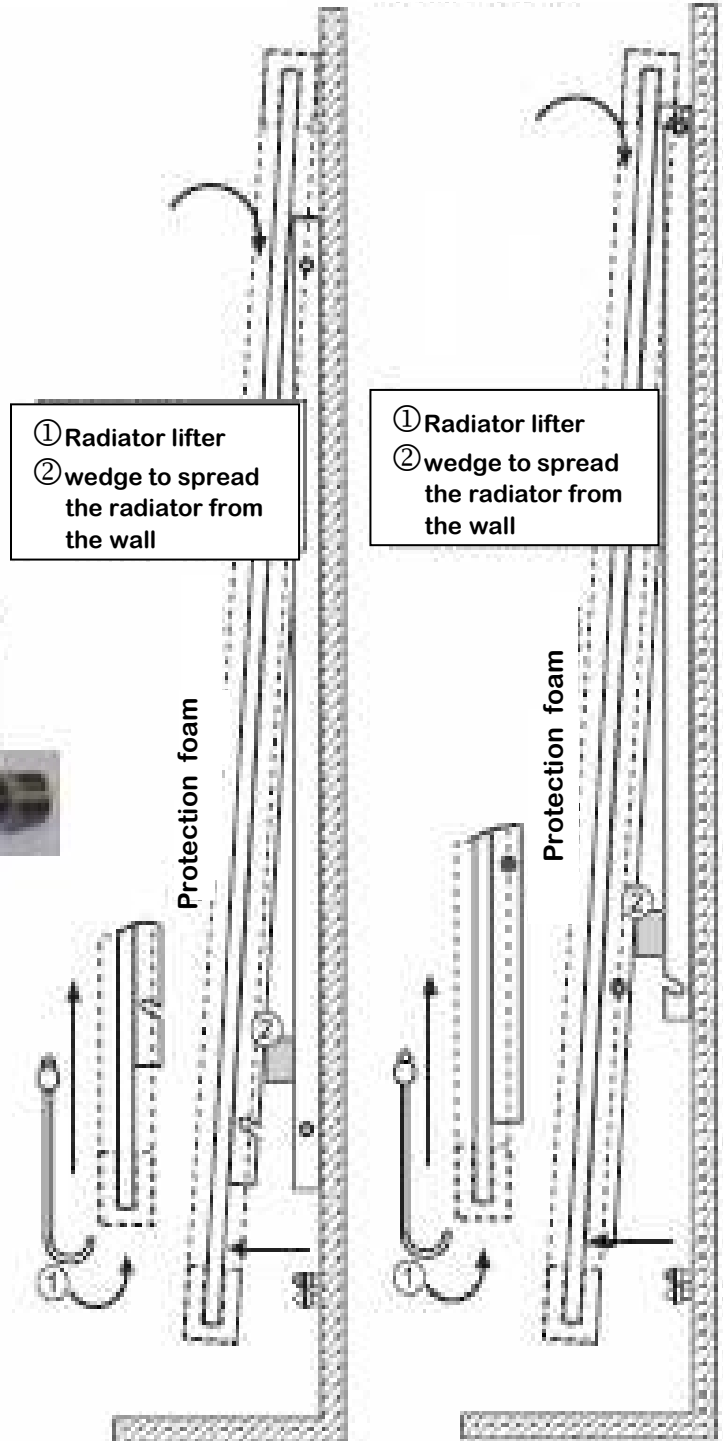
+ 50 %  
(max 100%)



Schema 9

Without Booster

With Booster



- ① Radiator lifter
- ② wedge to spread the radiator from the wall

- ① Radiator lifter
- ② wedge to spread the radiator from the wall

Protection foam

Protection foam

Mounting Instructions

Schema 10

